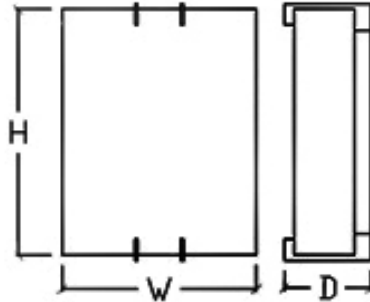




Ships in 1-2 Weeks **Max. 10 Pendants & 30 Wall Sconces Per Order.**
Please consult Lighting Systems for larger quantities.

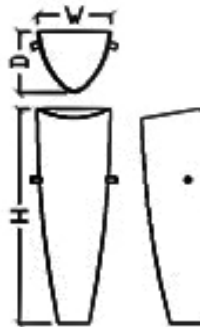
Catalog Series	Dimensions	Lamping	Finish	
----------------	------------	---------	--------	--

S3000	9" W x 12" H x 4" D	2C13E	BA	Brushed Aluminum
		2C26E	BA	Brushed Aluminum



Catalog Series	Dimensions	Lamping	Finish	
----------------	------------	---------	--------	--

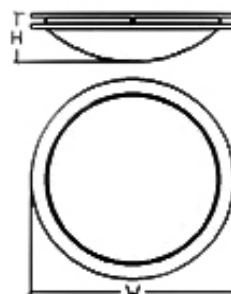
S3260	5" W x 15" H x 4" D	1CF18	BA	Brushed Aluminum
--------------	---------------------	-------	----	------------------



Catalog Series	Dimensions	Lamping	Finish	
----------------	------------	---------	--------	--

S7040	16-1/2" W x 4" H	2C13E	BA	Brushed Aluminum
		2C26E	BA	Brushed Aluminum

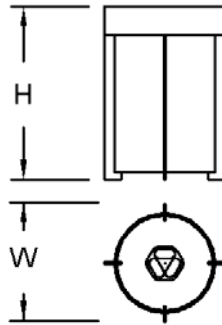
S7041	22" W x 6-1/2" H	4C13E	BA	Brushed Aluminum
		4C26E	BA	Brushed Aluminum



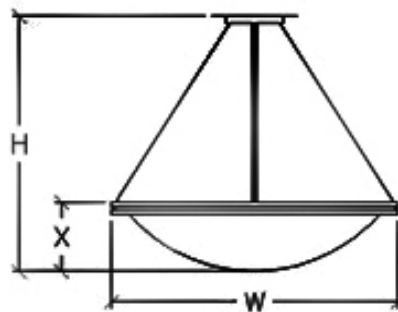
Scott
ARCHITECTURAL LIGHTING



Catalog Series	Dimensions	Lamping	Finish
S7136	6-1/4" W x 9-1/8" H	1C26T	BA



Catalog Series	Dimensions	Lamping	Finish
S2116	34" W x 24" H x 6-3/4" X	6C42T	BA



Catalog Series	Dimensions	Lamping	Finish
S2225	27-1/2" W x 36" H x 9-1/4" X	4C26E	BA

